



Protema[®]

TAWI

Which choice should you make?

Protema lifts have been successfully marketed around the world for many years. During that time we have experienced just about every problem regarding handling of lighter goods. Therefore we will almost certainly have a lift for your needs.

Together we can jointly carry out a quick *Handling Analysis* and then suggest the best possible solution for you. If necessary, we will tailormake products to suit your requirements.

A ProteMa lift will increase effectiveness and profitability within your company.



1-2. Changing rolls in packaging machines is carried out swiftly and safely with the V-block (right) and boom (above). The V-block is detachable so that the platform can be used for other chores in between changes.



3. A central brake with directional lock is standard on the PRO120/150.

Lifting lighter goods can add up to tons

It's often the case that objects lifted at the workplace are not especially heavy and it would be natural to assume that the job can be carried out quite effectively manually.

However, during a working day, light lifting can literally add up to tons, resulting in strain, slowing up and even accidents. With Protema lifts, difficult and potentially harmful lifting can be avoided. More and heavier objects can be handled, which leads to fewer lifts.



1. The PRO120 with V-block and rotating plate.



2. A PRO100 with EasySqueeze unit and electric turning. The arms hold and turn the roll, moving it from a vertical position to the horizontal, loading position.

1

2



3-4. A coregripper tool grips the inside of the roll and rotates 90° from a vertical position to a horizontal position. PRO70 (left) PRO120 (right).



3

4

Protema lifts – the third generation

Protema lifts are manufactured with an emphasis on functionality, flexibility and reliability. They are extremely lightweight and are battery driven with a built-in charger. The first Protéma lift was developed in 1977. Today's third generation lifts are a result of years of practical experience and development.



1-2. Choose adjustable forks on a frame for a combination of handling rolls for packaging machines and for changing tools in the machines.



3. A manual crateturning tool, PRO70.



A model to suit every need

Protema lifts play an important role in many production processes and offer a multitude of possible combinations and applications.

We manufacture stainless steel versions of the Protema lifts and attachments especially suited for the cleanroom demands of the pharmaceutical and food industries.



1,3,4. The staff of this industrial kitchen put their PRO40 and PRO70 Protema lifts into use in everyday lifting situations.



2



3



4

2. PRO200 with EasySqueeze unit, stainless steel.

Every application has a solution

Protema lifts each offer a choice of lifting heights and lifting capacities. Our technical engineers can modify the standard versions to suit the requirements of your job and the range of optional attachments increases consistently.

Protema lifts are third-party tested and certified following the CE marking regulations.



1. Choose a special tool with rolls on springs to aid in the heavy task of removing wheels.



2. These PRO100's are used as mobile work stations in this assembly line.



3. PRO100's with electrical turning tool.



4. The heavyduty PRO200 with Easy-Squeeze unit and manual turning tool.

Lifting with ease

With the Protema lifts we strive to find solutions to easier lifting.

Pushing objects on or off a platform is made much easier by adding rollers on the front and sides of the platform. In some cases, rollers have been incorporated into the complete platform surface.

There are many more examples of Protema tools that make lifting easier.



1. Forks can be used to carry strapped goods. (PRO120)



2. Add a ladder to reach a little higher! (PRO70)



3. The PRO70SB with extendable forks for handling empty pallets. A detachable platform also handles boxes.



4. A roller on the front of the platform simplifies the loading and unloading of this PRO70.

Protema - technical guidelines

PRO40
(FeatherLift)

PRO70
(MicroLift)

PRO100
(MiniLift)



Model	PRO40 (FeatherLift)	PRO70 (MicroLift)	PRO100 (MiniLift)
Capacity	40 kg	70 kg	100 kg
Maximum Lifting Height	1380 mm	1260/1560/1760 mm	1310/1810 mm
Weight of unit	20 kg	30-33 kg	45/47 kg
Battery	12V/7Ah	24V/7Ah	24V/17Ah
Chain	1 x 8 mm	1 x 8 mm	2 x 8 mm
2-speed/variable lifting speed	1-speed	1-speed	2-speed optional
Control Board	No	No	Yes
Lift/charge	40 kg/1m/ x 50 times	70 kg/1m/ x 100 times	100 kg/1m/ x 100 times
Remote control	No	Optional	Optional
Stroke	1350 mm	1120/1420/1620 mm	1280/1780 mm
Adjustable width between legs	No	No	No
Number of motors	1	1	2
Battery charging procedure	Over night > 8h (at end of 8 hour shift and until next shift)	Over night > 8h (at end of 8 hour shift and until next shift)	Over night > 8h (at end of 8 hour shift and until next shift)

Protema - technical guidelines

PRO120/150

PRO200
(MaxiLift)

EasySqueeze
on PRO100
(MiniLift)

EasySqueeze
on PRO200
(MaxiLift)

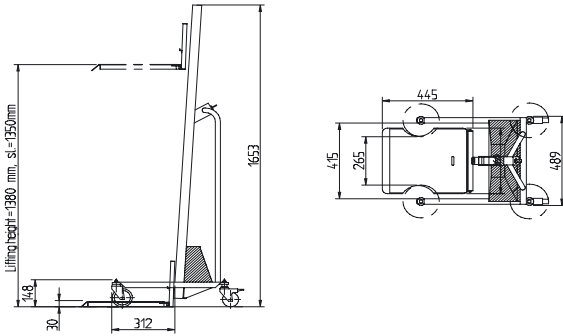


Model	PRO120/150	PRO200 (MaxiLift)	EasySqueeze on PRO100 (MiniLift)	EasySqueeze on PRO200 (MaxiLift)
Capacity	120 kg/150 kg	200 kg	60 kg* 100 kg	130 kg
Maximum Lifting Height	875/1425/1975 mm 875/1425 mm	1787 mm	2045 mm (centre) 1545 mm (centre)	2030 mm (centre)
Weight of unit	55-66 kg	113 kg	97 kg	148 kg
Battery	24V/17Ah	24V/38Ah	24V/17Ah	24V/38Ah
Chain	1 x duplex	1 x duplex	2 x 8 mm	1 x duplex
2-speed/variable lifting speed	2-speed & variable 2-speed	2-speed & variable	2-speed optional	Variable (0.13 m/s)
Control Board	Yes	Yes	Yes	Yes
Lift/charge	120 kg/1m x 120 times 150 kg/1m x 120 times	200 kg/1m/ x 100 times	70 kg/1m/ x 100 times 100 kg/1m/ x 100 times	130 kg/1m/ x 100 times
Remote control	Yes	Yes	Optional	Yes
Stroke	845/1395/1945 mm 845/1395 mm	1733 mm	1280 mm	1733 mm
Adjustable width between legs	Yes 450-754 mm Optional 460-520 mm	No	No	No
Number of motors	1	1	2	1
Battery charging procedure	Over night > 8h (at end of 8 hour shift and until next shift)	Over night > 8h (at end of 8 hour shift and until next shift)	Over night > 8h (at end of 8 hour shift and until next shift)	Over night > 8h (at end of 8 hour shift and until next shift)

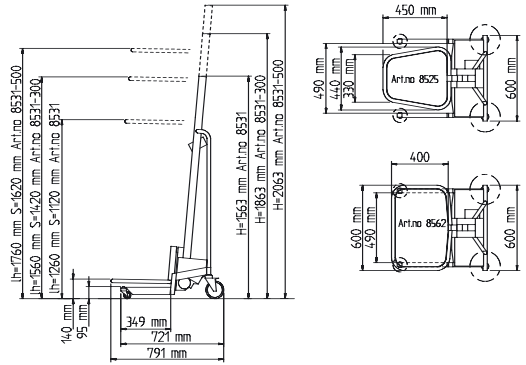
*70 kg with reinforced frame and rod

Protema – technical drawings

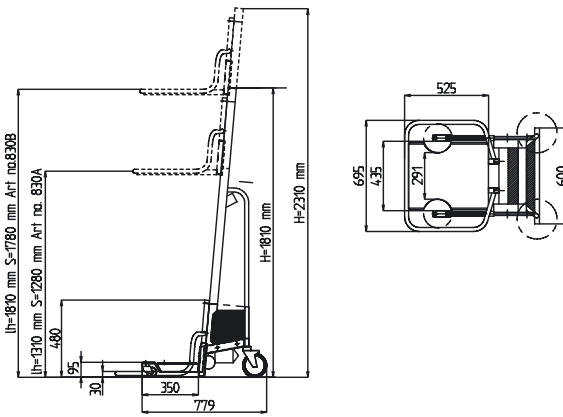
PRO40 (FeatherLift)



PRO70 (MicroLift)



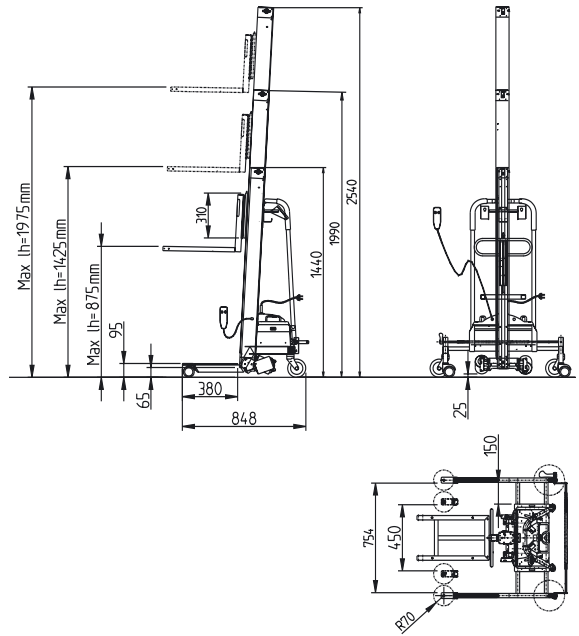
PRO100 (MiniLift)



*Boom (8516) Min lifting height 320 mm
Max lifting height 1440/1740/1940 mm*

*Coregripper (8192) Min lifting height 120 mm
Max lifting height 1270/1570/1770 mm*

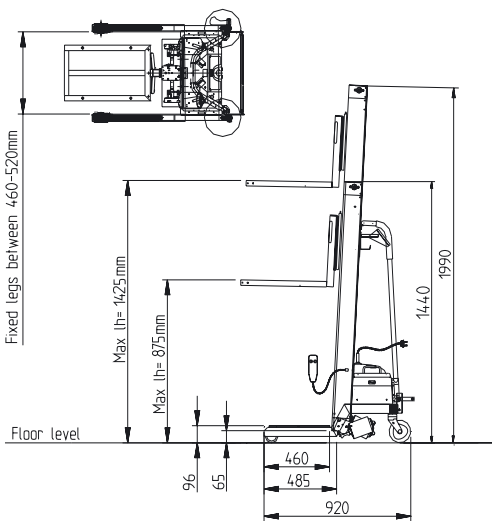
PRO120



*Boom (8116A) Min lifting height 310 mm
Max lifting height 1155/1705/2255 mm*

*Coregripper (8191/8195) Min lifting height 109 mm
Max lifting height 954/1504/2054 mm*

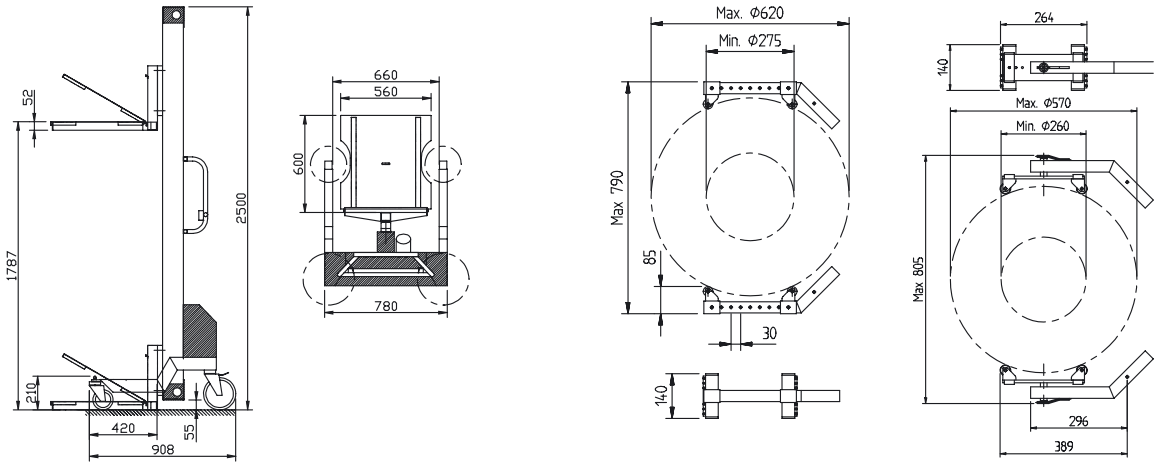
PRO150



Protema – technical drawings

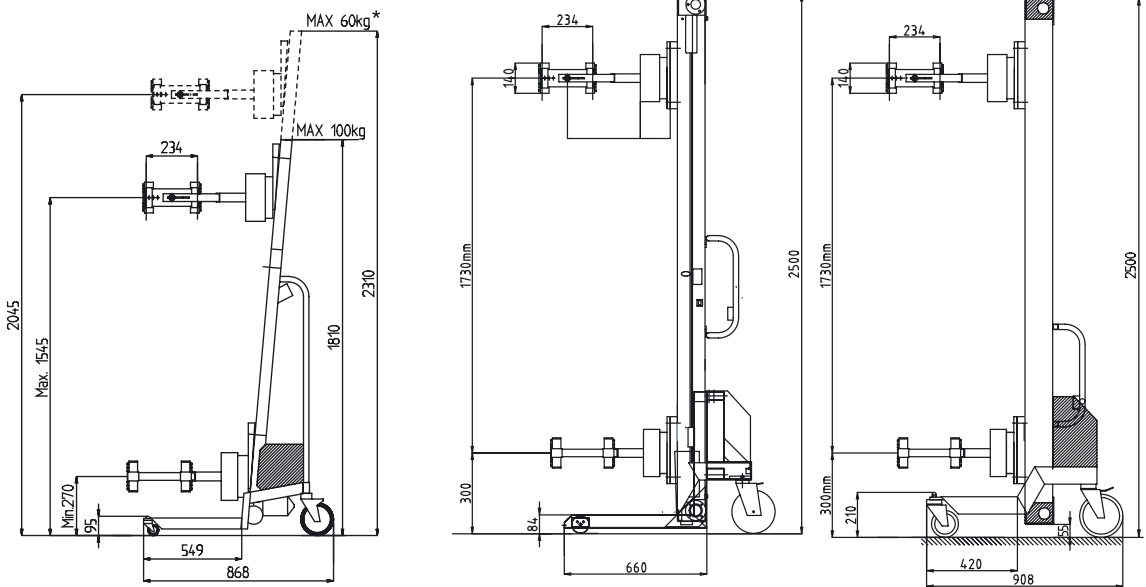
PRO200 (MaxiLift)

Fixed/Swivelling arms for EasySqueeze, example:



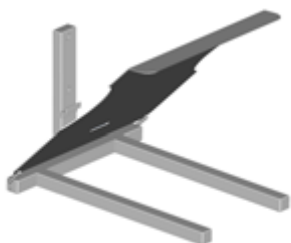
EasySqueeze on PRO100 (MiniLift)

EasySqueeze on PRO200 (MaxiLift) Lowbuilt/Standard

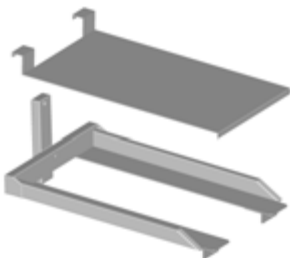


*70 kg with reinforced frame and rod

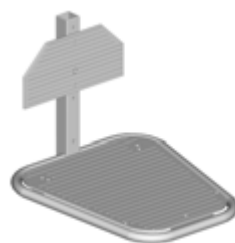
Protema – Attachments



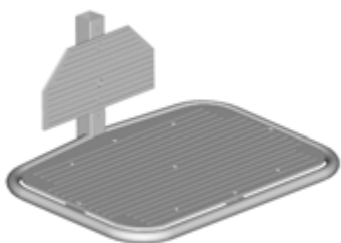
8597 Fold-up platform with forks for PRO40, 445x360 mm stainless steel. Reaches floor level.



20253 Frame with L-shaped profiles and 8599 detachable platform for PRO40, stainless steel. Reaches pallet level. (8594 As above, platform non-detachable)



8525 Platform for PRO70, 490/330x450 mm corrugated aluminium. 8525SS Stainless steel version with smooth surface. Reaches floor level.



8562 Platform for PRO70, 600x400 mm corrugated aluminium. 8562SS Stainless steel version with smooth surface. Reaches pallet level.



8539 Detachable arm for sackhandling for PRO70. 8538 Fold-up platform with forks for 8539 440x360 mm, stainless steel. Reaches pallet level.



8522 Platform for PRO100 695x520 mm corrugated aluminium. 8522SS Stainless steel version with smooth surface. Reaches floor level.



8100A Frame for PRO120/150 without platform. 8150A/B/C Platform 360x500. 8151A/B/C 600x500. A:HD polyethylene B: Corrugated aluminium C: Stainless steel. Reaches floor level (Optional on PRO150).



8101A Fold-up platform with forks for PRO120, 370x500/435x540 stainless steel. Reaches floor level.



Rollers for PRO120/150 platforms. 8160A/B/C/D rolls for 8100A. A: plastic l: 375 mm. B: plastic l: 600 mm C: nickelplated steel l: 375 mm D: nickelplated steel l: 600 mm. Reaches floor level.

Protema – Attachments



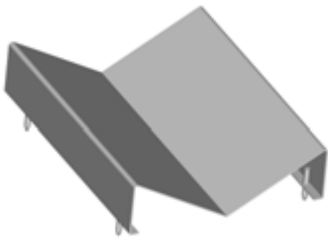
8102A Frame only for PRO120/150 forks.
Reaches floor level.



8152A/B/C/D Adjustable forks for PRO120/150 frame 8102A.
A: 80 kg 40x20 mm l: 500 mm. B: 60 kg 30x30 mm l: 500 mm. C: 40 kg 20x20 mm l: 400 mm D: 40 kg dia 25 mm l: 450 mm.
Reaches floor level.



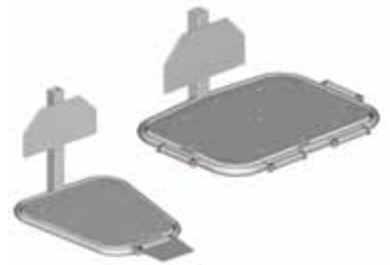
8557 Fold-up platform with forks for PRO200 560x600 mm stainless steel.
Reaches floor level.



8161A V-block for PRO70, 100, 120/150, rollhandling accessory.



8162A Rotating plate for PRO70/100/120/150 V-block (8161A) on frame/platform.
Available on stainless steel platforms only.



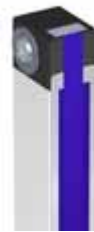
8519 Separate tray-roller ramp for PRO70/100.
8537 Separate rollers 125 mm for PRO70/100, other lengths on request.



Hand control on spiral cable. Standard on PRO120, PRO150 and PRO200 (different design, see page 9).
Available on request for other lifts.



Quick release for swift changes between attachments available on request.



Chain protection cover strip available for PRO70. Standard on PRO120/150/200.

Protema – Attachments



Ladder for PRO70/PRO100: 8586/8588
h:540 mm 2 steps.
PRO120/150: 8170A/B stainless
steel/nickelplated steel, h:720 mm 3 steps.



Central brake with directional lock:
8140A for PRO120/150 (standard),
8140D for PRO70 (optional),
8150D for PRO100 (optional).



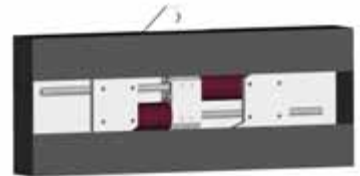
All standard wheels are manufactured in
thermorubber. Optional: ESD antistatic
and polyurethane heavy duty.



Standard, lowbuilt legs to fit beneath
EUR-pallets on PRO70/100.
Optional on PRO120/200.



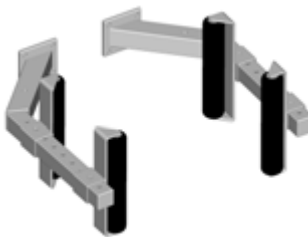
On request: Fixed front wheels for areas
with limited operational space.
Standard on PRO150 and lowbuilt
PRO200.



EasySqueeze unit for PRO100/200.



Electrical or manual turning unit for
EasySqueeze on PRO100/200.



Fixed arms for EasySqueeze.



Swivelling arms for EasySqueeze.

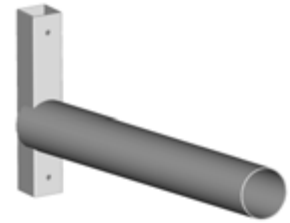
Protema – Attachments



8192 Coregripper max 35 kg,
core max Ø76 mm for PRO70.
8191 Max 90 kg,
core max Ø76 mm for PRO120/150.
8195 Max 90 kg,
core max Ø150 mm for PRO120/150.



Extra rolls added to the tip of the
coregripper to aid insertion into core.



8516/8116A Boom for PRO70/100/120/150
Rollhandling accessory.



Example of electrical turning unit for
emptying drums etc.



Example of platform with complete
surface equipped with rollers to help
position goods.



Special tool for handling tyres.



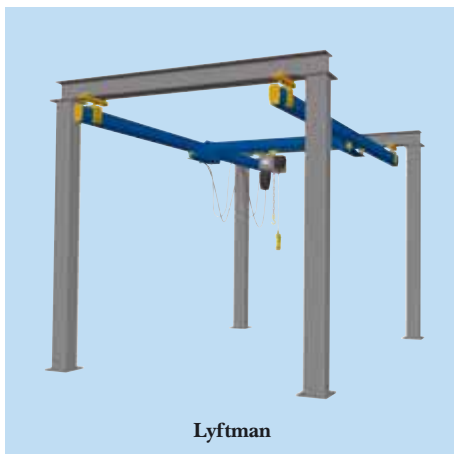
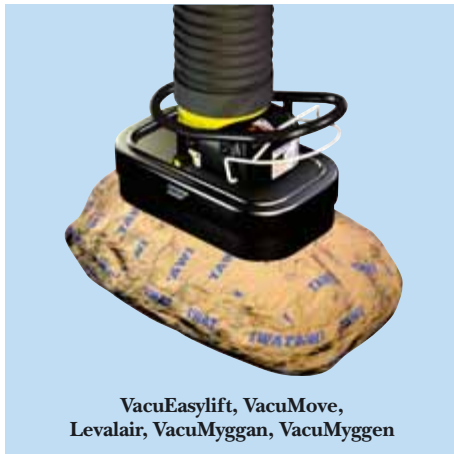
Conveyor platform, electric, with squeeze
protection.



Example of manual turning unit for
emptying drums etc.



Special cratelifter with manual tipping
function.



TAWI

TAWI AB
Transportgatan 1
Box 10205
434 23 KUNGSBACKA
Sweden
Tel +46 300 185 00
Fax +46 300 189 90

Bergtorpsvägen 43A
183 64 TÄBY
Sweden
Tel +46 8 446 48 50
Fax +46 8 446 48 55

info@tawi.se
www.tawi.com