

Bellows pad P J G

How to specify the type to be ordered

PJG

6

N

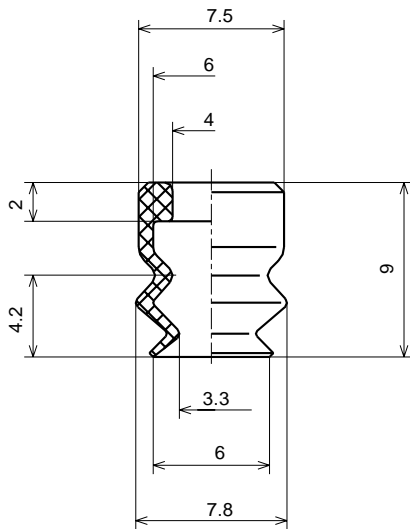
Pad diameter	
6	35
8	40
10	50
15	60
20	70
25	80
30	

Material of rubber, Hardness(Hs)	
N	Nitril 55° (black)
S	Silicone 55° (white)
U	Urethane 55° (blue)
F	Fluorine 70° (white dots over black)
NE	Conductive Nitril 70° (a blue dot over black)
SE	Conductive Silicone 55° (a red dot over black)

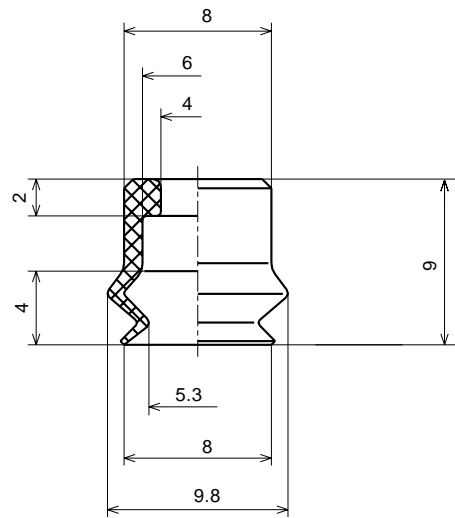
Pads made of the material and with hardness other than the above as special orders.

Refer to Page 329 for locking screws.

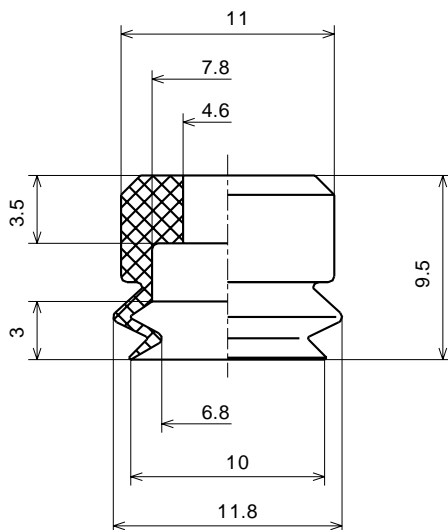
Outline drawing



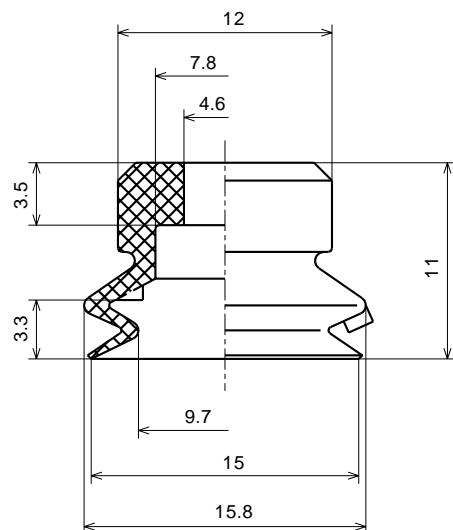
PJG-6



PJG-8

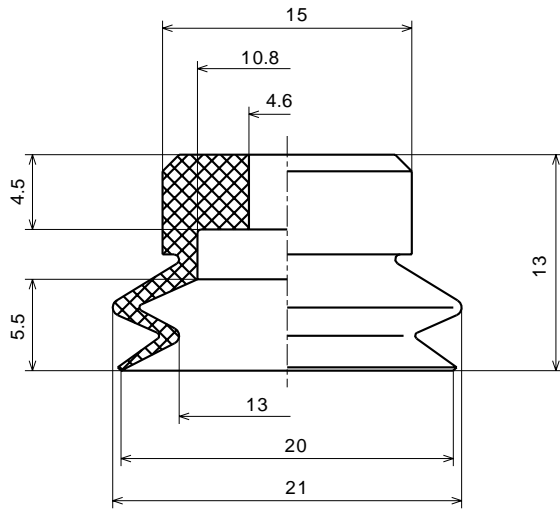


PJG-10

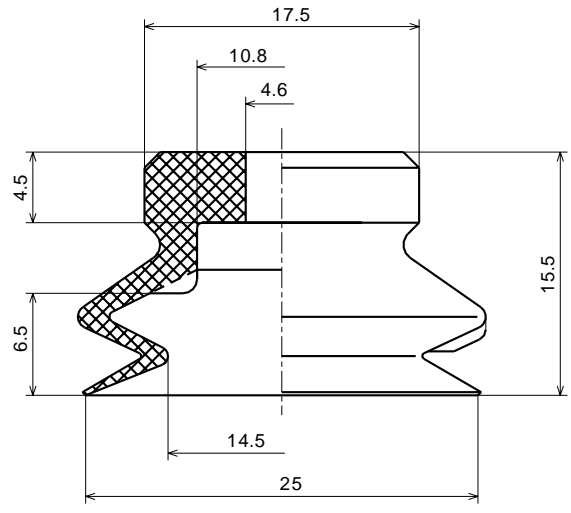


PJG-15

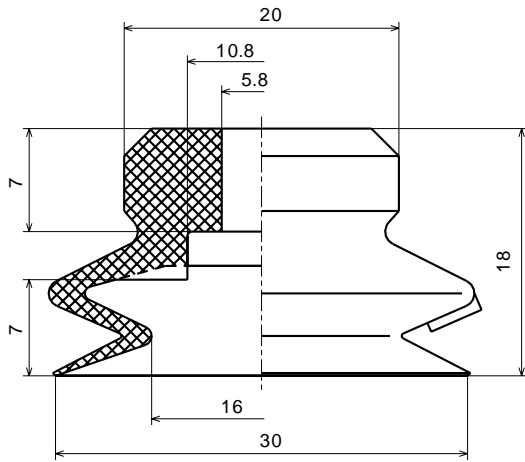
Pad



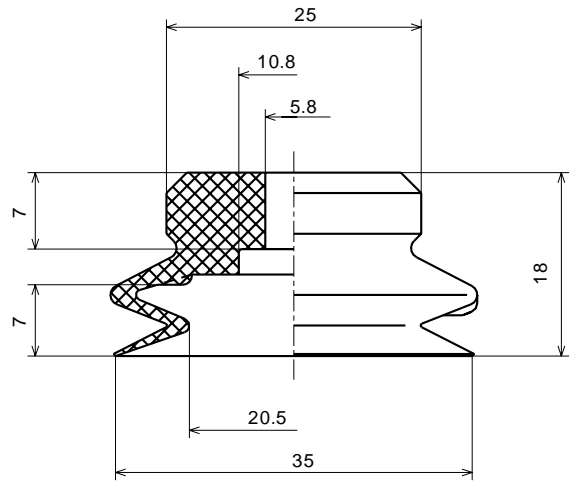
PJB-20



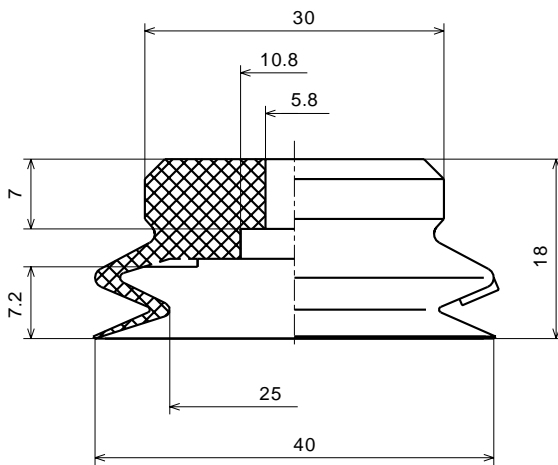
PJB-25



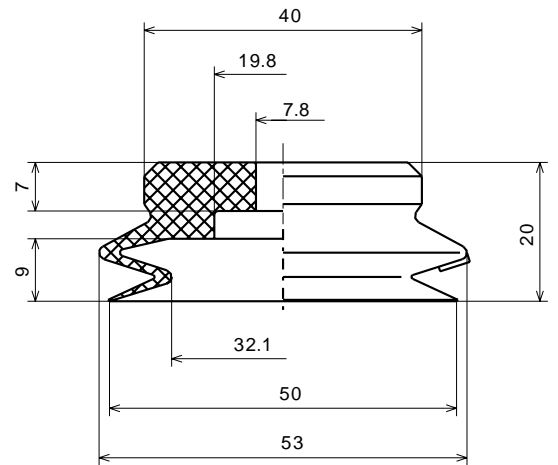
PJB-30



PJB-35

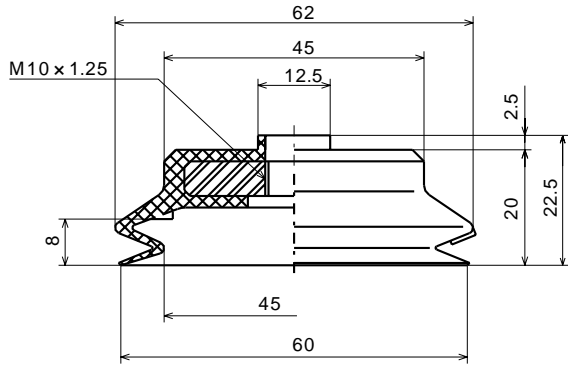


PJB-40

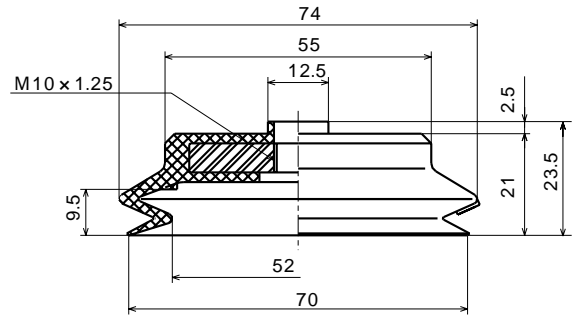


PJB-50

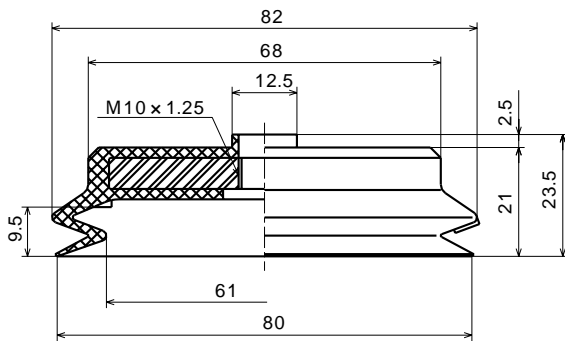
Pad



PJJ-60



PJJ-70



PJJ-80

Bellows type pad PBG

How to specify the type to be ordered

PBG

10A

N

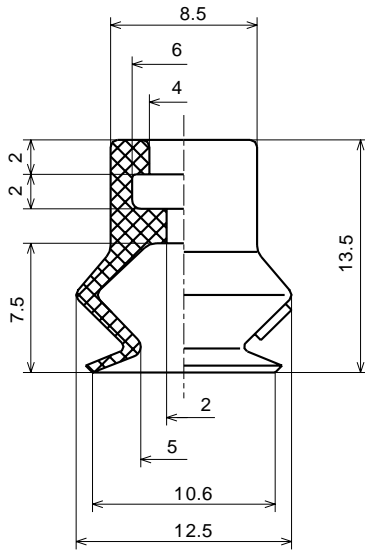
Pad diameter
10A
15A
20
30
40
50
75
110
150

Material of rubber, Hardness(Hs)	
N	Nitril 55° (black)
S	Silicone 55° (white)
U	Urethane 55° (blue)
F	Fluorine 70° (white dots over black)
NE	Cobductive Nitril 70° (a blue dot over black)
SE	Cobductive Silicone 55° (a red dot over black)

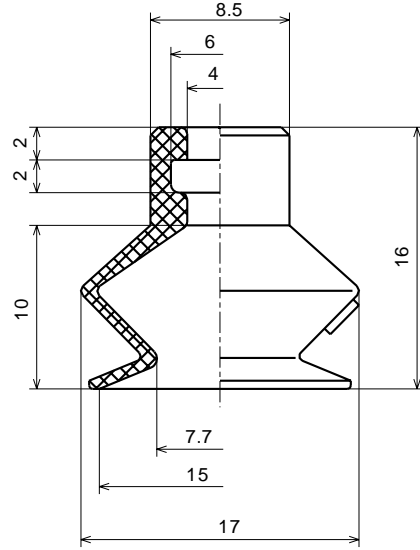
Pads made of the material and with hardness other than the above as special orders.

Refer to Page 329 for locking screws.

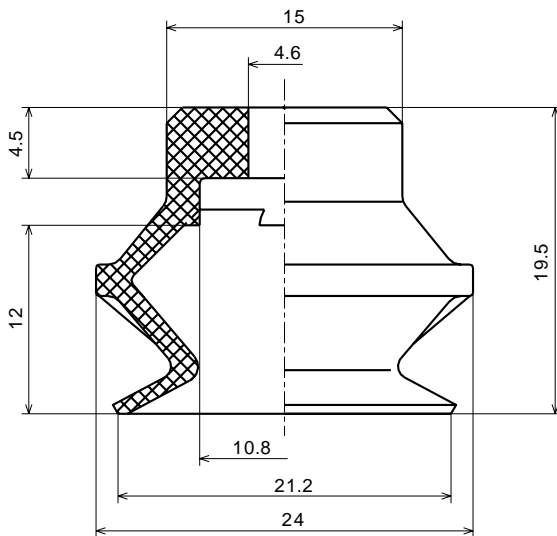
Outline drawing



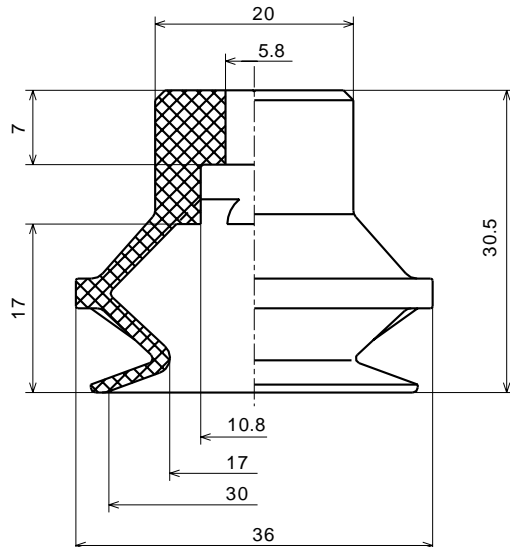
PBG-10A



PBG-15A



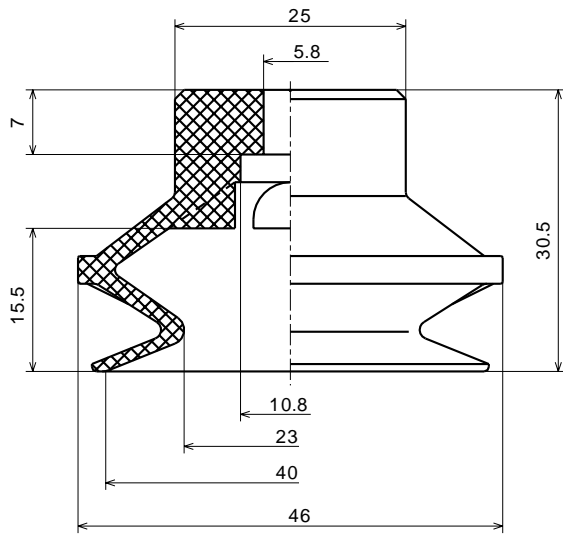
PBG-20



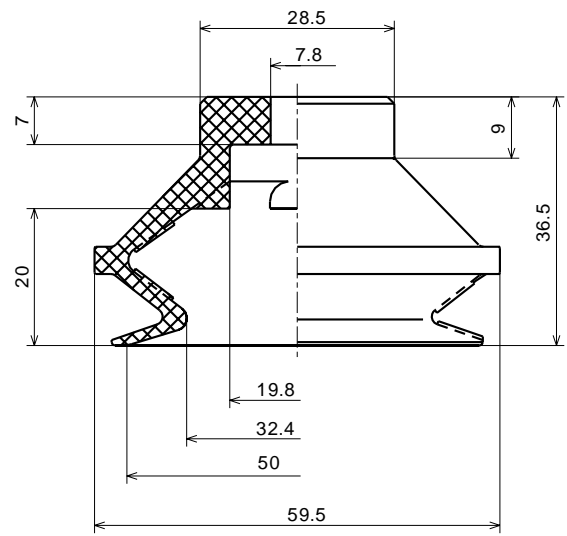
PBG-30

Pad

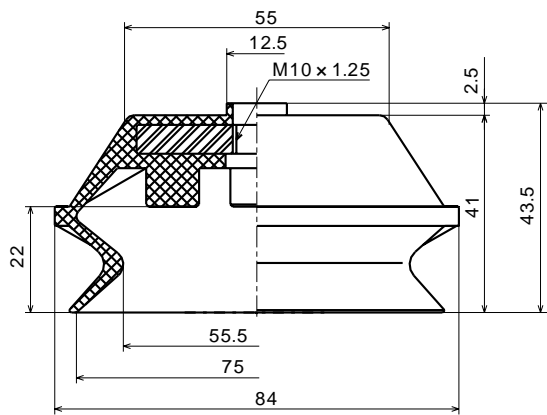
Vacuum Suction Pad



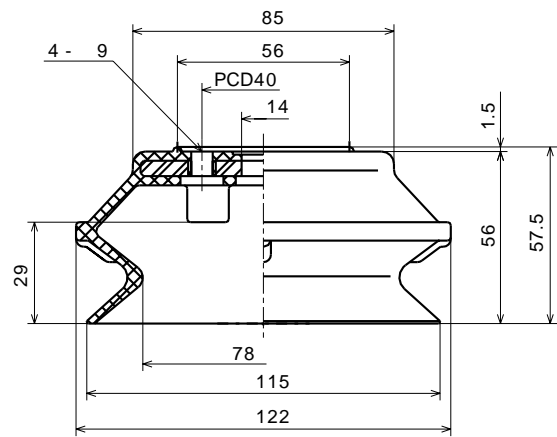
PBG-40



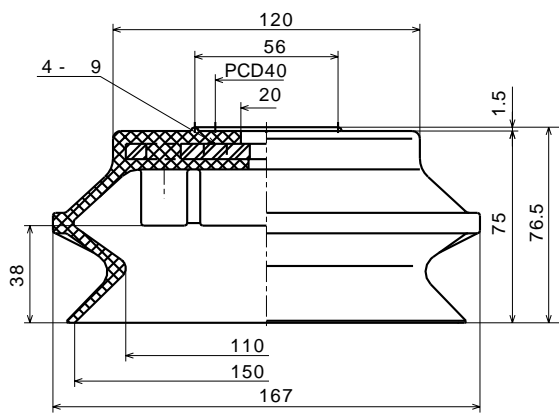
PBG-50



PBG-75



PBG-110



PBG-150

Pad