

# Standard pad PFG

How to specify the type to be ordered

PFG **2A**

**N**

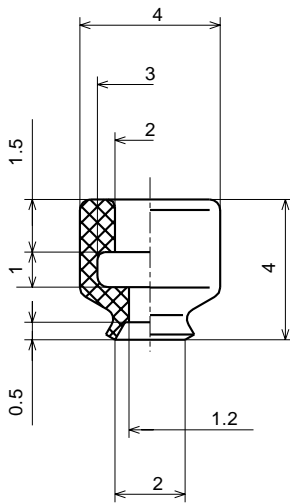
Pad diameter	
2A	20B
2x4A	20
2x4	25
3.5A	30
3.5x7A	35
3.5x7	40
5A	50
6A	60
8A	80
10A	95
15A	120
15	150
	200

Material of rubber, Hardness (Hs)	
N	Nitril 55° (black)
S	Silicone 55° (white)
U	Urethane 55° (blue)
F	Fluorine 70° (white dots over black)
NE	Conductive Nitril 70° (a blue dot over black)
SE	Conductive Silicone 55° (a red dot over black)

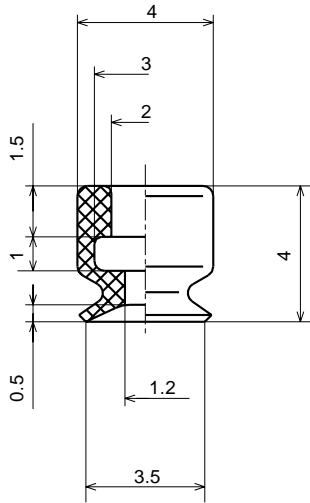
Pads made of the material and with hardness other than the above as special orders.

Refer to Page 329 for locking screws.

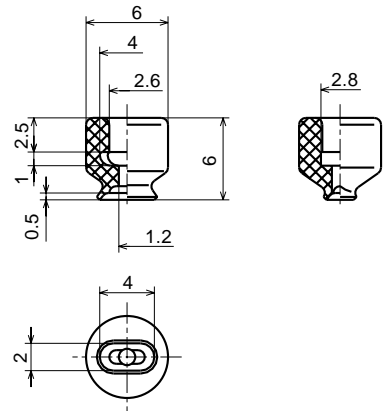
## Outline drawing



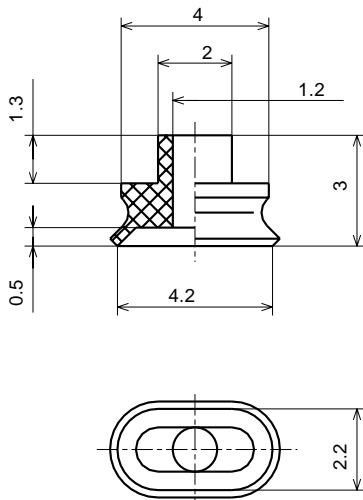
PFG-2A



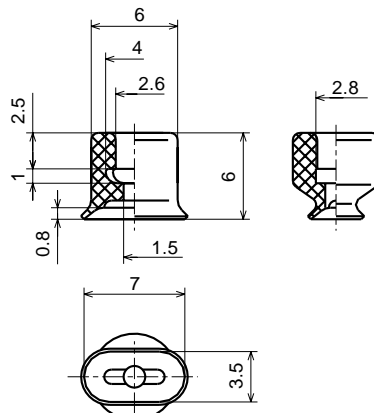
PFG-3.5A



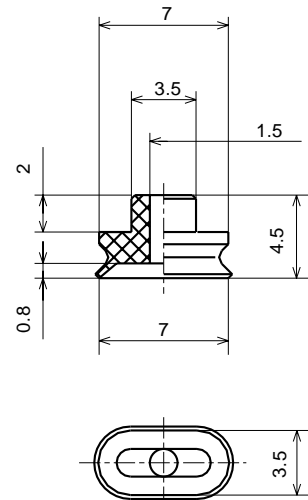
PFG-2x4A



PFG-2x4

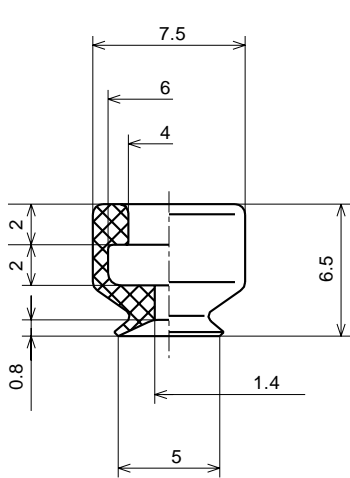


PFG-3.5x7A

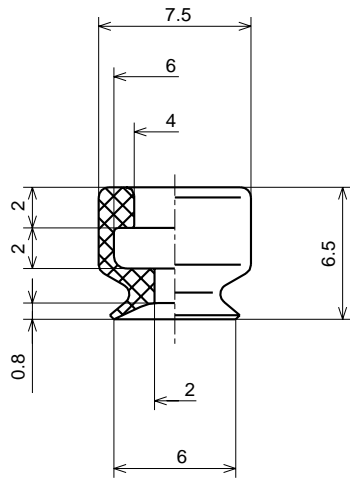


PFG-3.5x7

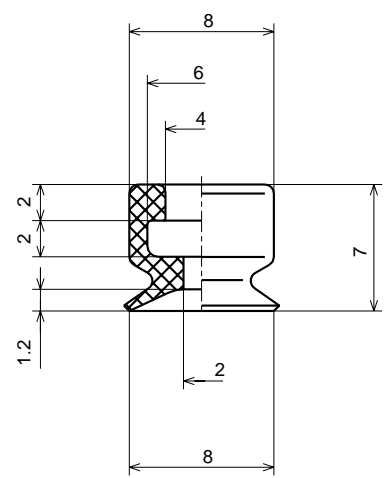
# Vacuum Suction Pad



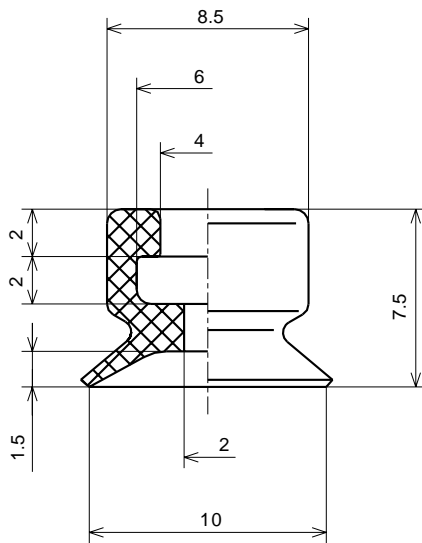
PFG-5A



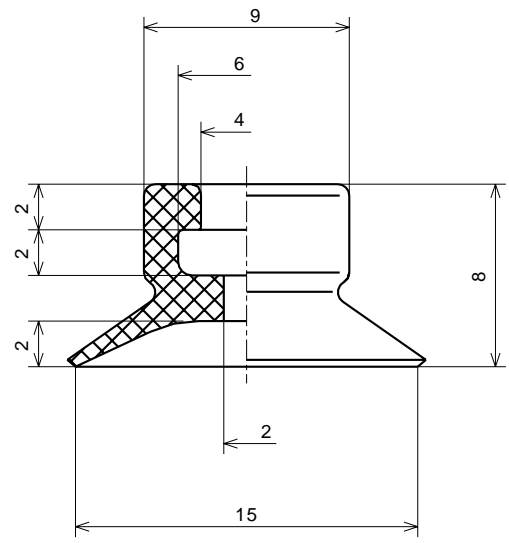
PFG-6A



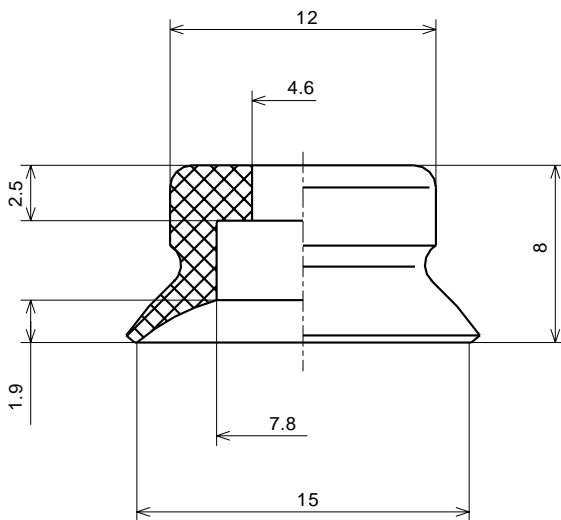
PFG-8A



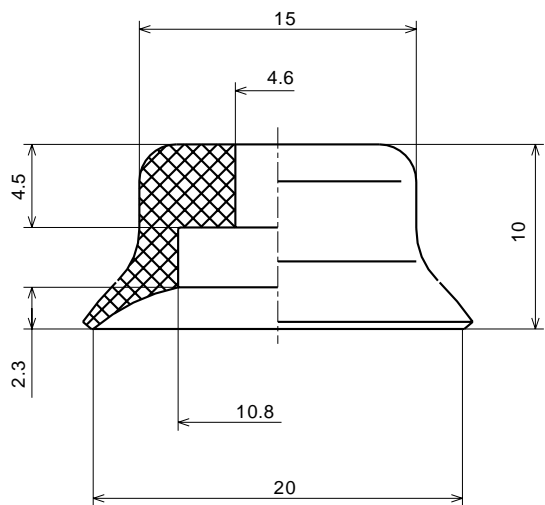
PFG-10A



PFG-15A

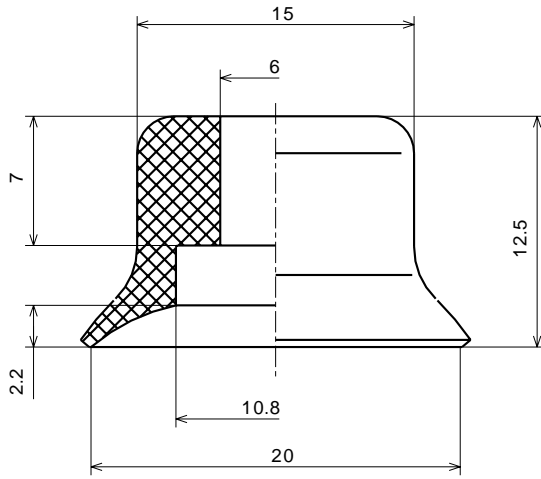


PFG-15

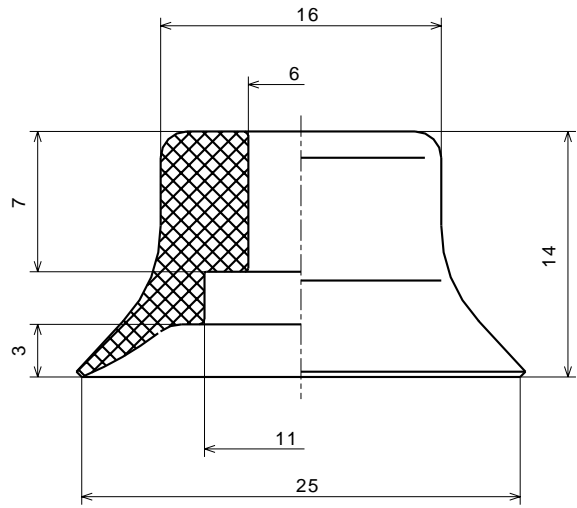


PFG-20

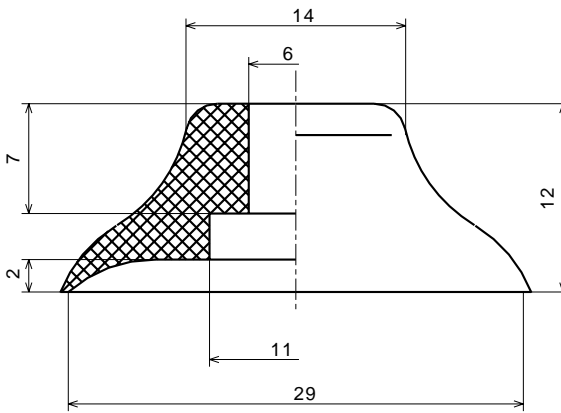
Pad



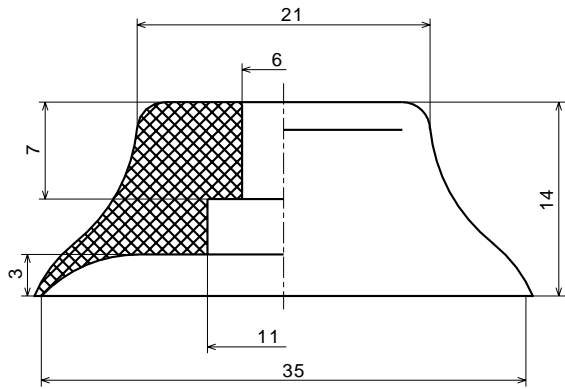
PFG-20B



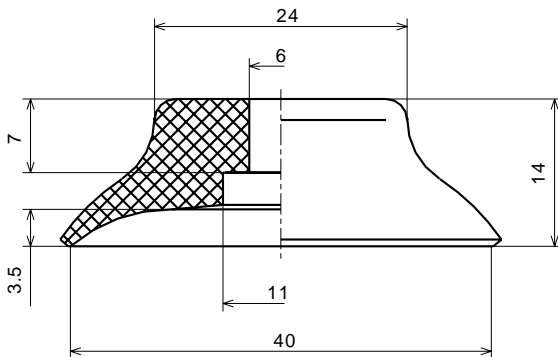
PFG-25



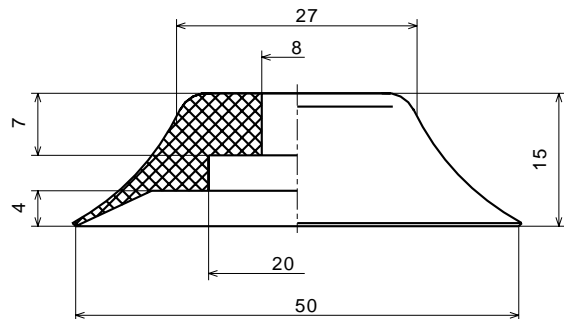
PFG-30



PFG-35

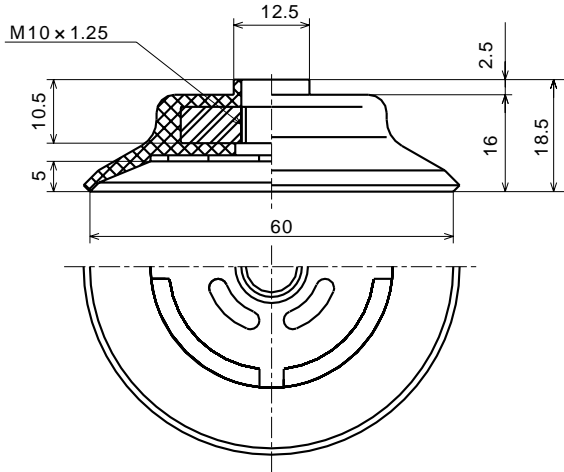


PFG-40

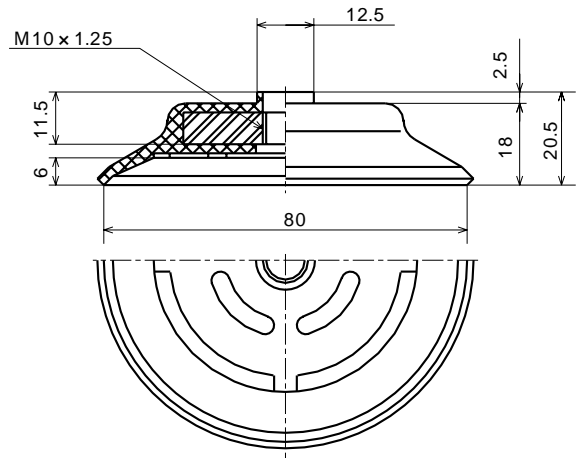


PFG-50

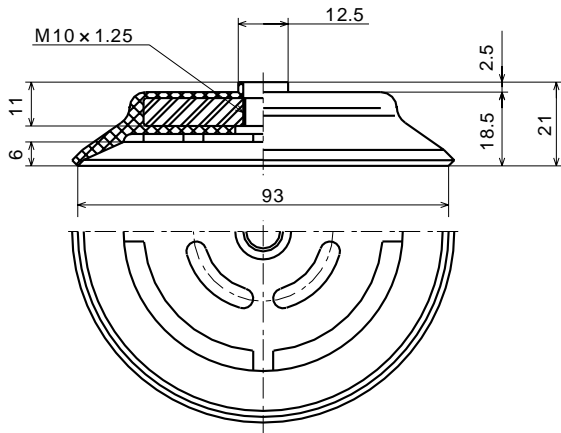
# Vacuum Suction Pad



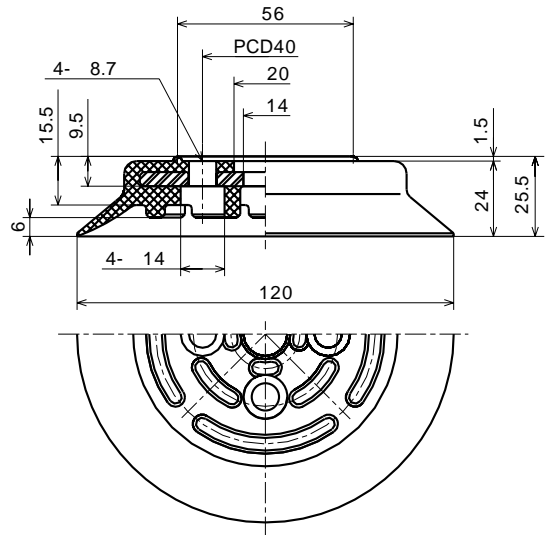
PFG-60



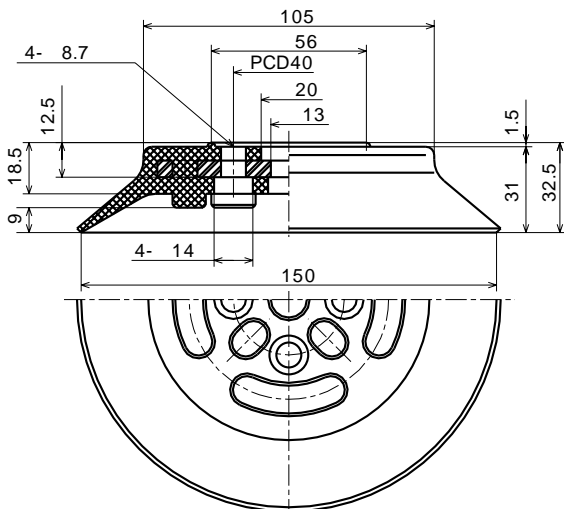
PFG-80



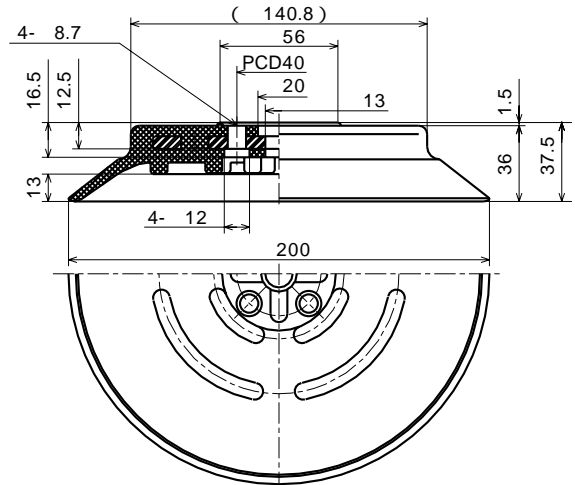
PFG-95



PFG-120



PFG-150



PFG-200

Pad