

# Three stage bellows type pad PCG

How to specify the type to be ordered

PCG

5

Pad diameter	
5	20
7	30
10	40
15	60
18	90

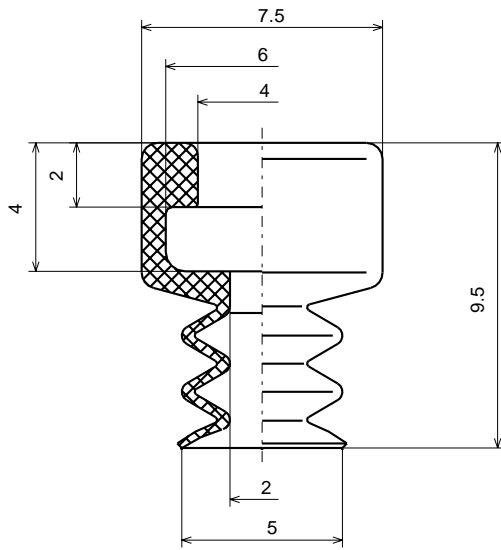
N

Material of rubber, Hardness (Hs)	
N	Nitril 55 ( black )
S	Silicone 55 ( white )

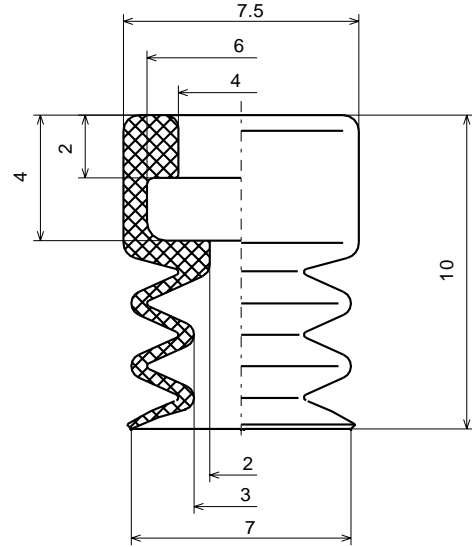
We manufacture conductive pads (nitril, silicone) and also pads made of the material and with hardness other than the above as special orders.

Refer to Page 328 for locking screws.

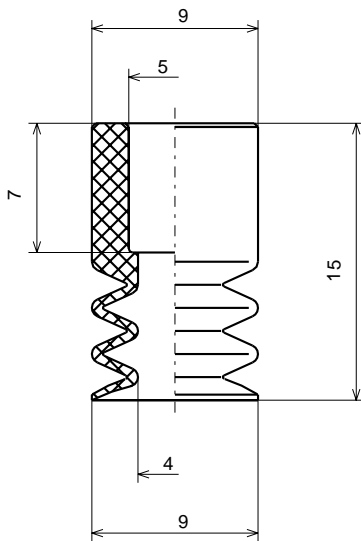
Outline drawing



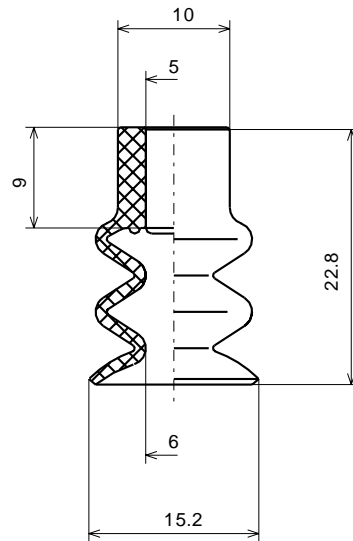
PCG-5



PCG-7

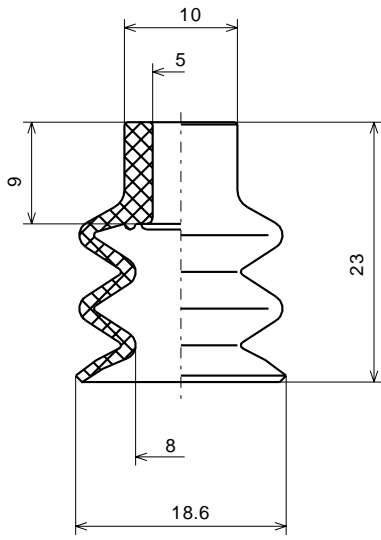


PCG-10

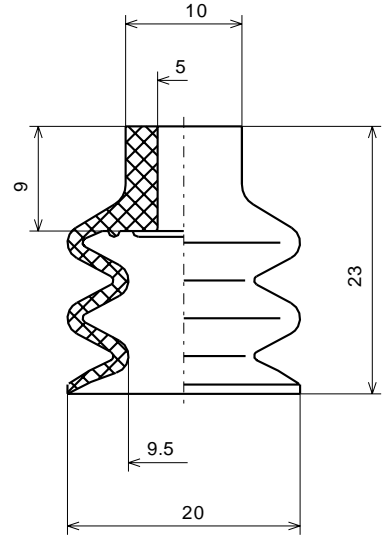


PCG-15

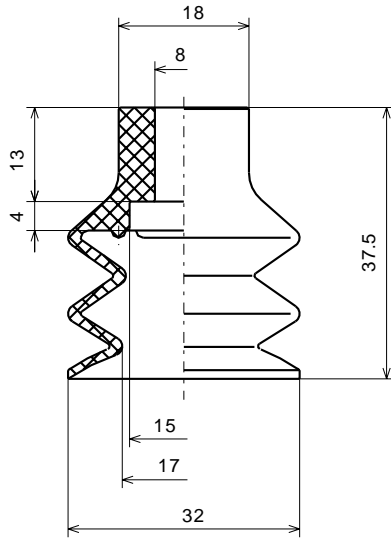
# Vacuum Suction Pad



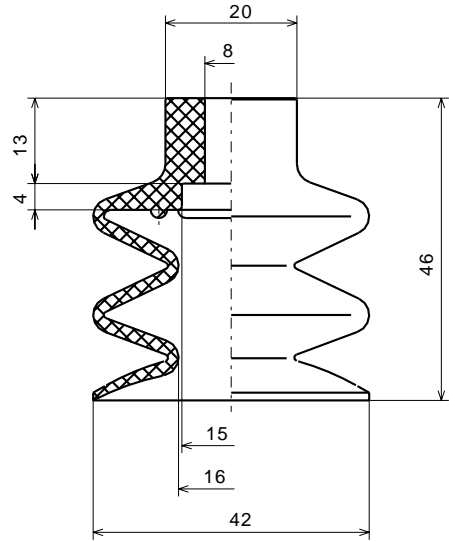
PCG-18



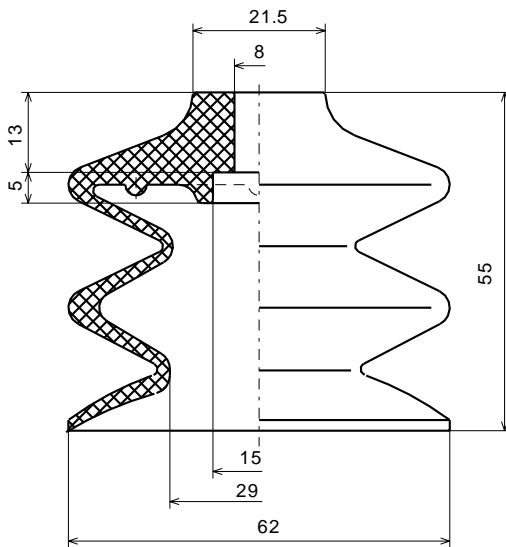
PCG-20



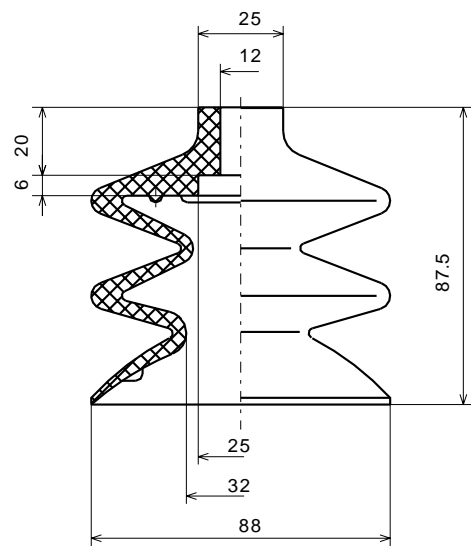
PCG-30



PCG-40



PCG-60



PCG-90

Pad